

1

2

3

4

5

6

A

B

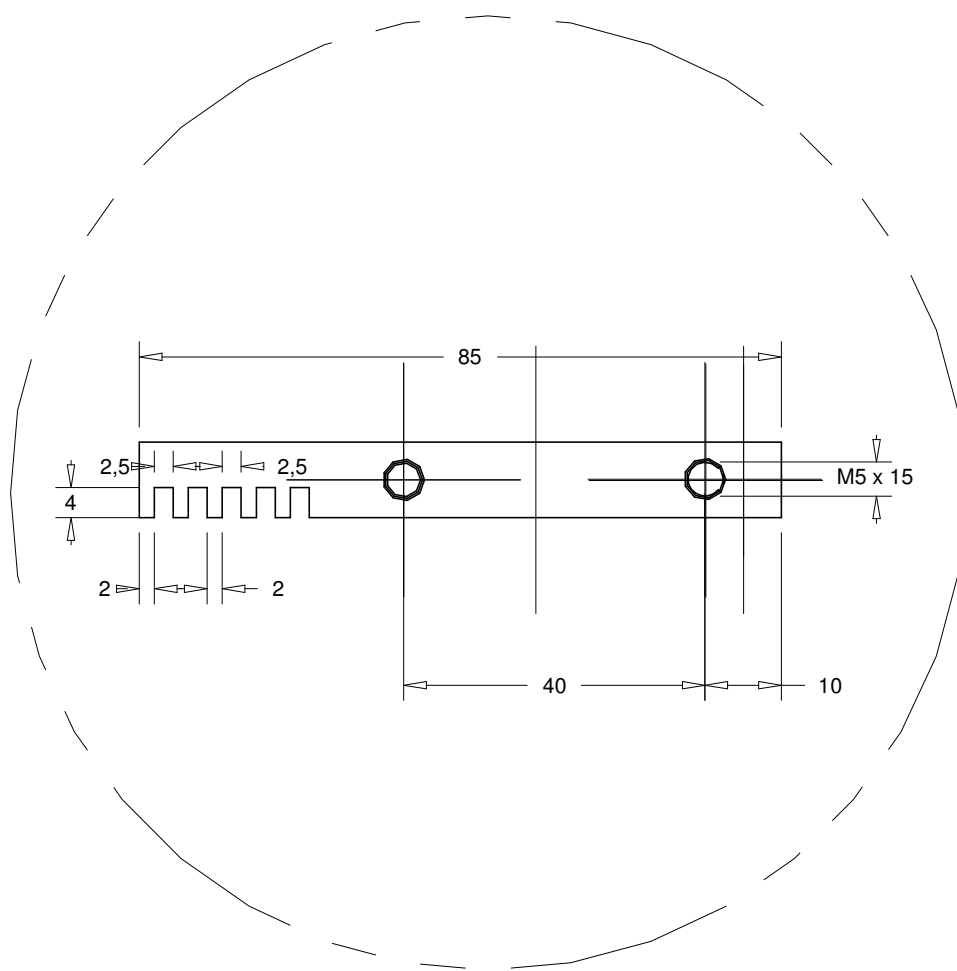
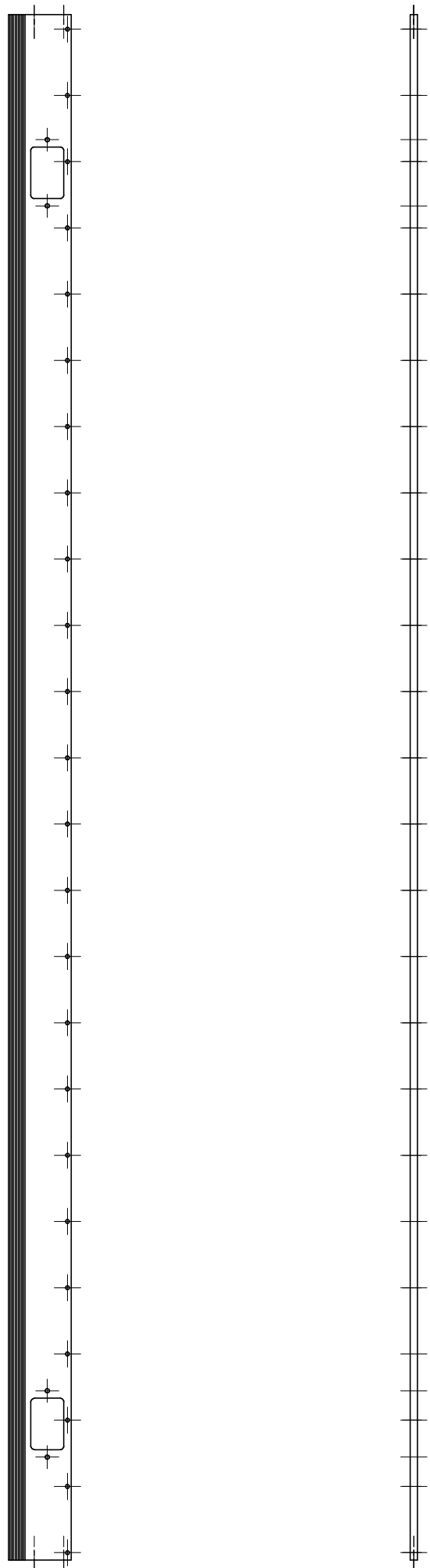
C

D

E

F

G



Detail A

Drawn by: gvdw

Client:

Date: 26/05/2015

Material: AlMgSi0.5

Toleranties: DIN7168 mittel

Heading:

Zijgeleiding Stofafscherming
Detail Groeven 2.5mm

Formaat: A4

Scale:

Dwg nr.: 150526/08

**CONSTRUCTION
VAN DE WALLE**

J. Parijslaan 30
B-9940 EVERGEM
Belgium
tel: +32.92.53.58.58
fax: +32.92.53.71.72
mailto:ghislain@vdwalle.com

H